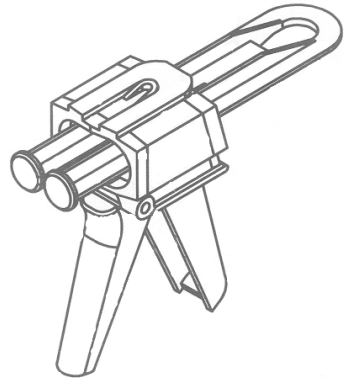


TOOLS/TEST EQPT/REPAIR EQPT

PLASTECH WELD EPOXY REPAIR ADHESIVE



APPLICATOR GUN RP14026

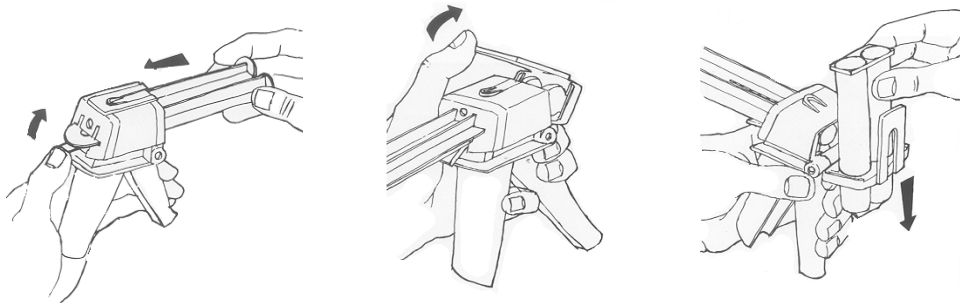


EPOXY 2 PART ADHESIVE
CARTRIDGE RP14027



APPLICATOR/
TURBULATOR TIPS
RP14028

APPLICATOR ASSEMBLY AND CARTRIDGE FITTING



RP14025 STARTER KIT AVAILABLE-CONSISTS OF 1-APPLICATOR GUN, 2-EPOXY CARTRIDGES AND 4-APPLICATOR/TURBULATOR TIPS.

Plastech Epoxy Adhesive – Users Guide

Remove the sealing cap from the two-part Epoxy cartridge and squeeze a little of the Epoxy out. This will ensure that both cylinders of the cartridge are operating and any air locks are cleared. If the ambient temperature is very low or the Epoxy is too viscous to squeeze out, replace the cap and immerse the cartridge in a container of hot water for 10-15 minutes. *Please note, the plunger of the applicator gun is made of plastic and is actuated by a metal cam inside the applicator. Pulling the trigger repeatedly when the Epoxy is too viscous or if there is a blockage will result in damage to the gun or splitting of the cartridge.*

Before applying the Epoxy, the repair area should be keyed. This can be achieved by scoring the surface with a file or rough sandpaper. Use a solvent to remove all traces of dirt, grease and oil. Unless the repair area is spotlessly clean, the repair will be ineffective.

The Epoxy should cure in approximately 4 hrs, however this time can be reduced by warming the repair with a heat gun. If the Epoxy starts to crystallise, the temperature is too high. It may be advisable to practice the technique first to determine the optimum temperature required when using different equipment.

A new turbulator tip (RP14028) **MUST** be used every time you apply the Epoxy. It is therefore advisable, where practical, to carry out several repairs in order to minimise waste. Always remove and discard the turbulator tip after use and securely refit the sealing cap.